

SPEC:

A:Material:

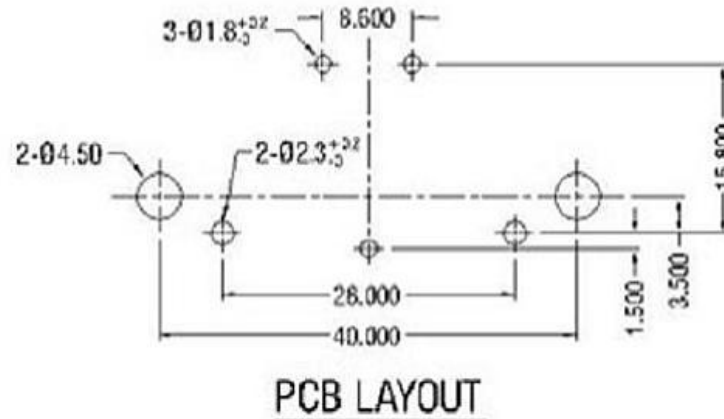
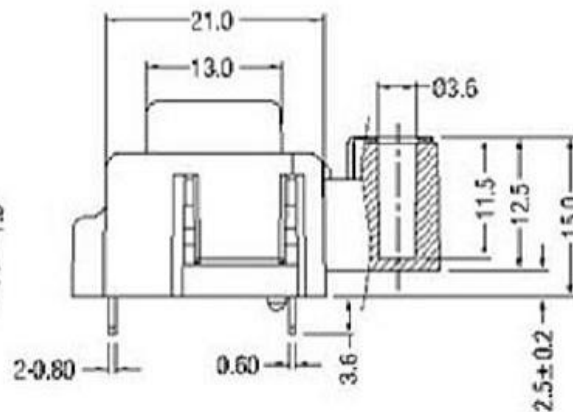
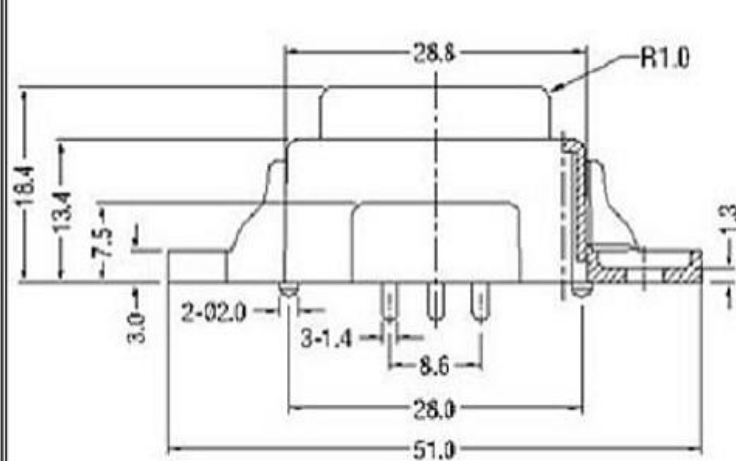
- 1. Housing: PBT / PA66 UL94 V-0
- 2. Terminal: COPPER ALLOY & Fe, TIN PLATED

B.Electrical Characteristics:

- 1.Rating: 5A 250V~ (UL,CUL)
2.5A 250V ~ (CCC,ENEC,KC)
- 2.Electric Strength: AC 2,000 V FOR ONE MINUTE
- 3.Insulation Resistance: 100MΩ MIN, AT 500V DC

C.Approvals:

UL, CUL, CCC, ENEC, KC



				普通公差 COMMON TOLERANCE :	 东莞市高迪电子有限公司			
				UP TO 5 ±0.20				
				ABOVE 5 TO 30 ±0.30	绘图 林晓良	核对 	型号	
				ABOVE 30 ±0.50	日期 19.08.12	核准 	料号 KD-AC电源插座	
REV.	DATE	REVISION DESCRIPTION	ISSUE	ANGULAR ±5°				